

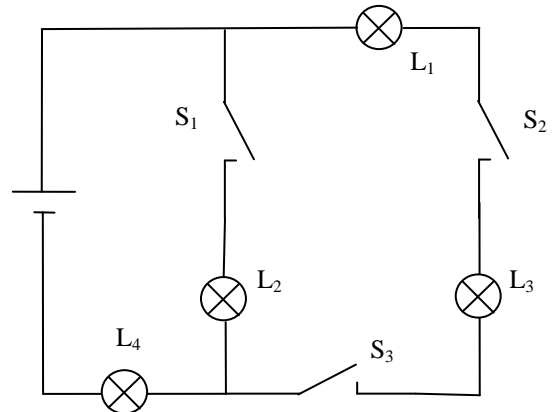
# Physik \* Jahrgangsstufe 7 \* Kompliziertere Schaltungen



Überlege genau, welche Lampe jeweils leuchtet.  
Kennzeichne auch die Helligkeit der Lampen geeignet.

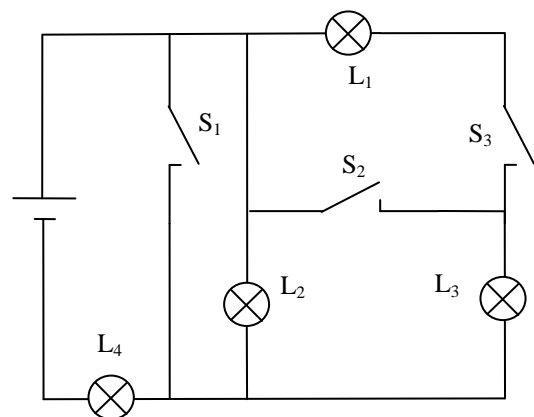
1.

S <sub>1</sub>	0	0	0	0	1	1	1	1
S <sub>2</sub>	0	0	1	1	0	0	1	1
S <sub>3</sub>	0	1	0	1	0	1	0	1
L <sub>1</sub>								
L <sub>2</sub>								
L <sub>3</sub>								
L <sub>4</sub>								



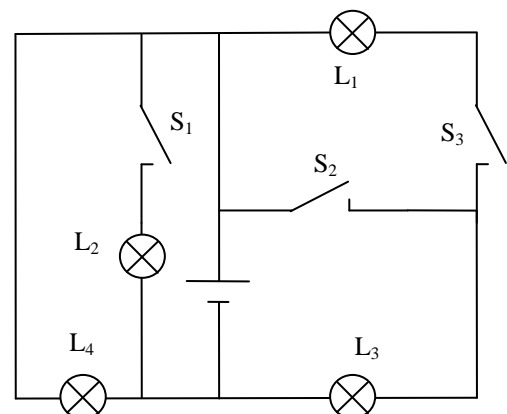
2.

S <sub>1</sub>	0	0	0	0	1	1	1	1
S <sub>2</sub>	0	0	1	1	0	0	1	1
S <sub>3</sub>	0	1	0	1	0	1	0	1
L <sub>1</sub>								
L <sub>2</sub>								
L <sub>3</sub>								
L <sub>4</sub>								



3.

S <sub>1</sub>	0	0	0	0	1	1	1	1
S <sub>2</sub>	0	0	1	1	0	0	1	1
S <sub>3</sub>	0	1	0	1	0	1	0	1
L <sub>1</sub>								
L <sub>2</sub>								
L <sub>3</sub>								
L <sub>4</sub>								

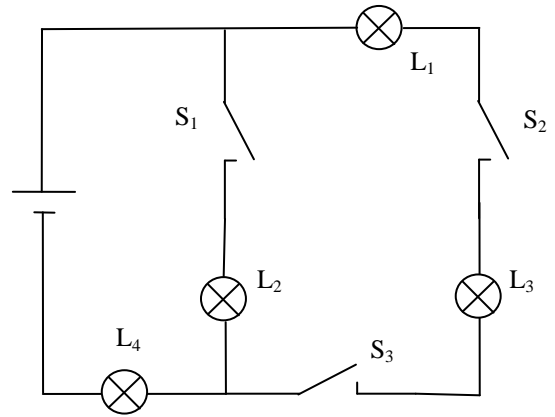


Physik \* Jahrgangsstufe 7 \* Kompliziertere Schaltungen \* Lösungen



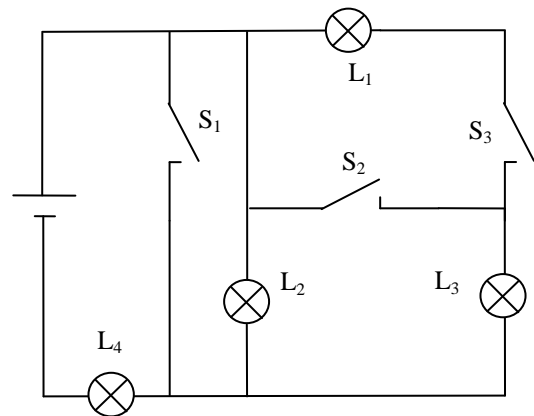
1.

S <sub>1</sub>	0	0	0	0	1	1	1	1
S <sub>2</sub>	0	0	1	1	0	0	1	1
S <sub>3</sub>	0	1	0	1	0	1	0	1
L <sub>1</sub>	0	0	0	1	0	0	0	1
L <sub>2</sub>	0	0	0	0	1	1	1	1*
L <sub>3</sub>	0	0	0	1	0	0	0	1
L <sub>4</sub>	0	0	0	1	1	1	1	1**



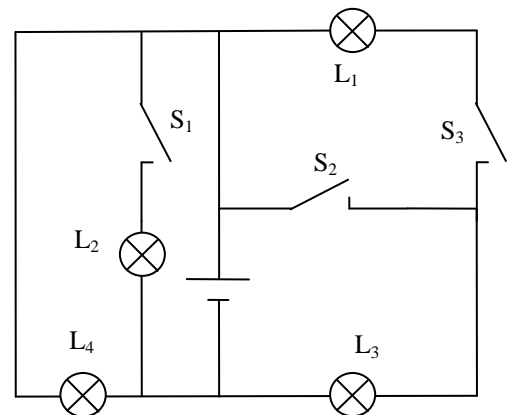
2.

S <sub>1</sub>	0	0	0	0	1	1	1	1
S <sub>2</sub>	0	0	1	1	0	0	1	1
S <sub>3</sub>	0	1	0	1	0	1	0	1
L <sub>1</sub>	0	1	0	0	0	0	0	0
L <sub>2</sub>	1	1*	1	1	0	0	0	0
L <sub>3</sub>	0	1	1	1	0	0	0	0
L <sub>4</sub>	1	1**	1*	1*	1	1	1	1



3.

S <sub>1</sub>	0	0	0	0	1	1	1	1
S <sub>2</sub>	0	0	1	1	0	0	1	1
S <sub>3</sub>	0	1	0	1	0	1	0	1
L <sub>1</sub>	0	1	0	0	0	1	0	0
L <sub>2</sub>	0	0	0	0	1	1*	1	1
L <sub>3</sub>	0	1	1	1	0	1	1	1
L <sub>4</sub>	1	1*	1	1	1	1*	1	1



**Physik \* Jahrgangsstufe 7 \* Kompliziertere Schaltungen \* Lösungen**

1.

S <sub>1</sub>	0	0	0	0	1	1	1	1
S <sub>2</sub>	0	0	1	1	0	0	1	1
S <sub>3</sub>	0	1	0	1	0	1	0	1
L <sub>1</sub>	0	0	0	1	0	0	0	1
L <sub>2</sub>	0	0	0	0	1	1	1	1*
L <sub>3</sub>	0	0	0	1	0	0	0	1
L <sub>4</sub>	0	0	0	1	1	1	1	1**

2.

S <sub>1</sub>	0	0	0	0	1	1	1	1
S <sub>2</sub>	0	0	1	1	0	0	1	1
S <sub>3</sub>	0	1	0	1	0	1	0	1
L <sub>1</sub>	0	1	0	0	0	0	0	0
L <sub>2</sub>	1	1*	1	1	0	0	0	0
L <sub>3</sub>	0	1	1	1	0	0	0	0
L <sub>4</sub>	1	1**	1*	1*	1	1	1	1

3.

S <sub>1</sub>	0	0	0	0	1	1	1	1
S <sub>2</sub>	0	0	1	1	0	0	1	1
S <sub>3</sub>	0	1	0	1	0	1	0	1
L <sub>1</sub>	0	1	0	0	0	1	0	0
L <sub>2</sub>	0	0	0	0	1	1*	1	1
L <sub>3</sub>	0	1	1	1	0	1	1	1
L <sub>4</sub>	1	1*	1	1	1	1*	1	1



**Physik \* Jahrgangsstufe 7 \* Kompliziertere Schaltungen \* Lösungen**

1.

S <sub>1</sub>	0	0	0	0	1	1	1	1
S <sub>2</sub>	0	0	1	1	0	0	1	1
S <sub>3</sub>	0	1	0	1	0	1	0	1
L <sub>1</sub>	0	0	0	1	0	0	0	1
L <sub>2</sub>	0	0	0	0	1	1	1	1*
L <sub>3</sub>	0	0	0	1	0	0	0	1
L <sub>4</sub>	0	0	0	1	1	1	1	1**

2.

S <sub>1</sub>	0	0	0	0	1	1	1	1
S <sub>2</sub>	0	0	1	1	0	0	1	1
S <sub>3</sub>	0	1	0	1	0	1	0	1
L <sub>1</sub>	0	1	0	0	0	0	0	0
L <sub>2</sub>	1	1*	1	1	0	0	0	0
L <sub>3</sub>	0	1	1	1	0	0	0	0
L <sub>4</sub>	1	1**	1*	1*	1	1	1	1

3.

S <sub>1</sub>	0	0	0	0	1	1	1	1
S <sub>2</sub>	0	0	1	1	0	0	1	1
S <sub>3</sub>	0	1	0	1	0	1	0	1
L <sub>1</sub>	0	1	0	0	0	1	0	0
L <sub>2</sub>	0	0	0	0	1	1*	1	1
L <sub>3</sub>	0	1	1	1	0	1	1	1
L <sub>4</sub>	1	1*	1	1	1	1*	1	1

